

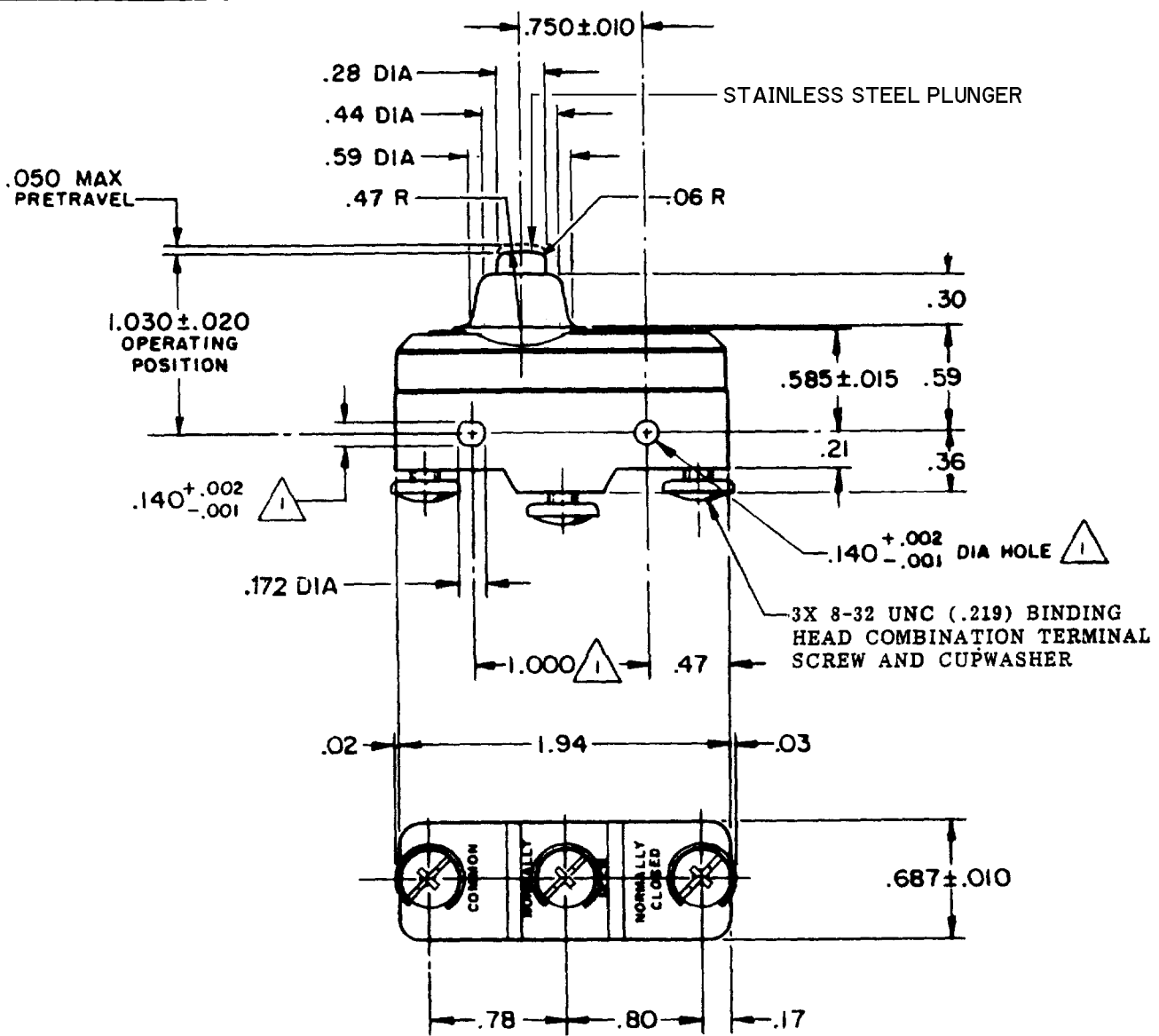


MICRO SWITCH
 FREEPORT ILLINOIS
 A DIVISION OF HONEYWELL
 FED. MFG. CODE 91929

SWITCH - BASIC

CATALOG LISTING
BE-2RB-A4

CATALOG LISTING
BE-2RB-A4
 PAGE 1 OF 1
 RELEASE NO. SR 12724
 REPLACES
 DRAWING NUMBER
 ISSUE 11
 CHECK
 REVISIONS
 A CO16851
 23 FEB 63
 B CO8 DMS
 CO19301
 JAH
 17 JUL 64
 C REISSUE
 ETS
 HSW
 7 DEC 64
 D SR12724
 MBF
 9 FEB 67
 E CO22547
 MBF
 21 FEB 67
 F CO34450
 BEN
 4 DEC 74
 G CO
 58782
 WJM
 24 JAN 86
 H CO
 173287-G
 JAL
 20 OCT 93
 J CO-
 77588
 KDR
 29 MAR 94
 K CO-
 95750-B
 CSL
 31 MAR 00
 FORMTEK
 FO-50376
 DRAWN
 GCH 23 FEB 63
 CHECK
 DAW S.M.A.R.G.3



NOTE -
 MOUNTING HOLES WILL ACCEPT PINS OR SCREWS
 OF .139 MAX DIA ON 1.000 ± .002 CENTERS

THIS DRAWING COVERS A PROPRIETARY ITEM AND IS THE PROPERTY OF MICRO SWITCH, A DIVISION OF MINNEAPOLIS-HONEYWELL REGULATOR CO. THIS DRAWING IS NOT TO BE COPIED OR USED WITHOUT THE APPROVAL OF MICRO SWITCH.

CHARACTERISTICS	ELECTRICAL DATA	SCALE FULL
OPERATING FORCE ----- 14 - 22 OZ	CONTACT ARRANGEMENT S P D T	DO NOT SCALE PRINT
RELEASE FORCE ----- 10 OZ MIN	25A-125 or 250VAC 1HP-125VAC; 2HP-250VAC PILOT DUTY 750VA-125, 250, 277VAC 60/75°C (Cu)	UNLESS OTHERWISE SPECIFIED DIMENSIONS ARE IN INCHES TOLERANCES ARE:
DIFFERENTIAL TRAVEL ---- .0020 - .0075		ONE PLACE (.0) ± .030
OVERTRAVEL ----- .094 MIN		TWO PLACE (.00) ± .015
		THREE PLACE (.000) ± .005
		ANGLE ±
		WEIGHT .064 LB